

ARVA **MPEV** MULTI-PURPOSE ENGINEER VEHICLE

Mine Blast Protected



DEFENCE **RD** DÉFENSE

**Mine Blast Protection...**  
a Joint Project between Defence Research and Development Canada and **ARVA**

**Ballistic Protection... protecting our soldiers**  
the MPEV has been engineered to accommodate the extra weight of the ballistic package without compromising performance



**Self-deployable at convoy speeds. Air, rail and sea transportable. Wide range of options.**



43 Gaylord Road  
St. Thomas, ON Canada N5P 3R9  
519-637-1855 800-709-7263  
fax: 519-637-1848



3560 Pine Grove, Unit 389  
Port Huron, MI 48060  
519-637-1855 800-709-7263  
fax: 519-637-1848

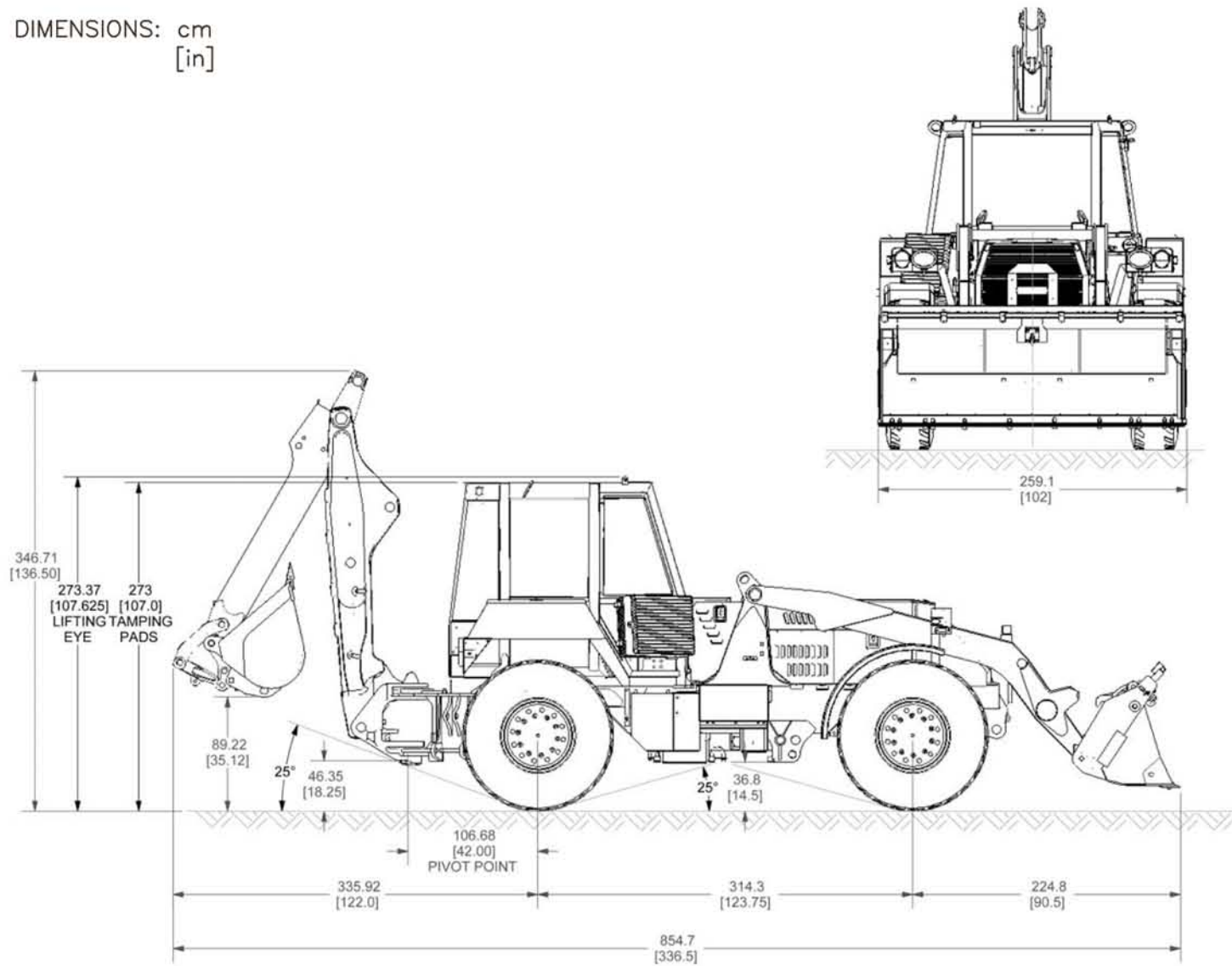
www.arvaindustries.com • sales@arvaindustries.com

**ARVA** INDUSTRIES INC.  
**SERIES III**



ARVA **MPEV** MULTI-PURPOSE ENGINEER VEHICLE

DIMENSIONS: cm  
[in]



Constant improvement and engineering progress make it necessary for ARVA Industries Inc. to reserve the right to make specification and equipment changes without notice.

# ARVA MPEV MULTI-PURPOSE ENGINEER VEHICLE

- Tier III Electronic Diesel Engine (Cummins)
- Self-deployable at convoy speed: 110 kph (68 mph) maximum
- Machine noise level below military requirements of 87 dB
- 8 speed power shift transmission  
4 speed work range  
4 speed travel range with lockup torque converter
- Operating temperature range: -40° C to +49° C (-40° F to +120° F)
- Air transportable - C130 Hercules
- Rail and sea transportable
- Air suspension for road travel
- Battery slave connection
- Air brakes with ABS, air dryer and remote air port
- Cold weather package: remote coolant heater, heated mirrors, battery heaters
- 2-piece, bolt-together wheel rims complete with bead lock for quick and safe field repairs
- Tire size: 14.00 x 20.00 J-ply
- Wide stance axles for high speed stability
- Cab:
  - ROPS certified
  - framed windows for easy change out
  - environmentally controlled
- Hydraulically powered loader and backhoe
- Travel range of 750 km (460 mi.) per tank
- 76 cm (30 in.) fording depth
- 2 hydraulic power take off circuits for small tools such as chain saws
- Field repairable radiator
- Multi-purpose bucket:
  - 4 in 1
  - 0.92 cu. m (1.2 cu. yd.)
  - 2 994 kg (6,600 lb.)
- Axle-Front: steer, limited slip
- Axle-Rear: lock-up differential
- Tie down loops
- Lifting eyes - spreader not required
- Tool and tire chain compartments
- Front recovery air system couplings
- Vandal protection: lockable compartments
- Jerry can holders (2)
- Operator's seat: air suspension with 4-point harness
- Crew seat
- 2 wheel / 4 wheel drive with lockup rear differential
- Military blackout lighting
- Camouflage netting storage
- Weapon rack
- Full light package
- LED lighting

## OPTIONS

- Wrist Action Backhoe - 180°
- Extendible Dipper Stick: 5.2m (17 ft.)
- Winch: 4082 kg (9,000 lb.) line pull with remote control
- Choice of buckets:
  - General Purpose
  - 36" Trenching
  - 24" Trenching
  - Severe Duty
  - Backhoe
- Forklift Attachment-Loader
- 8" Auger
- Crane Jib
- Run Flat Inserts
- Central Tire Inflation
- Trailer Hitch: Hand Removable
- Full Mine Blast Package
- Armor Plate Ready

